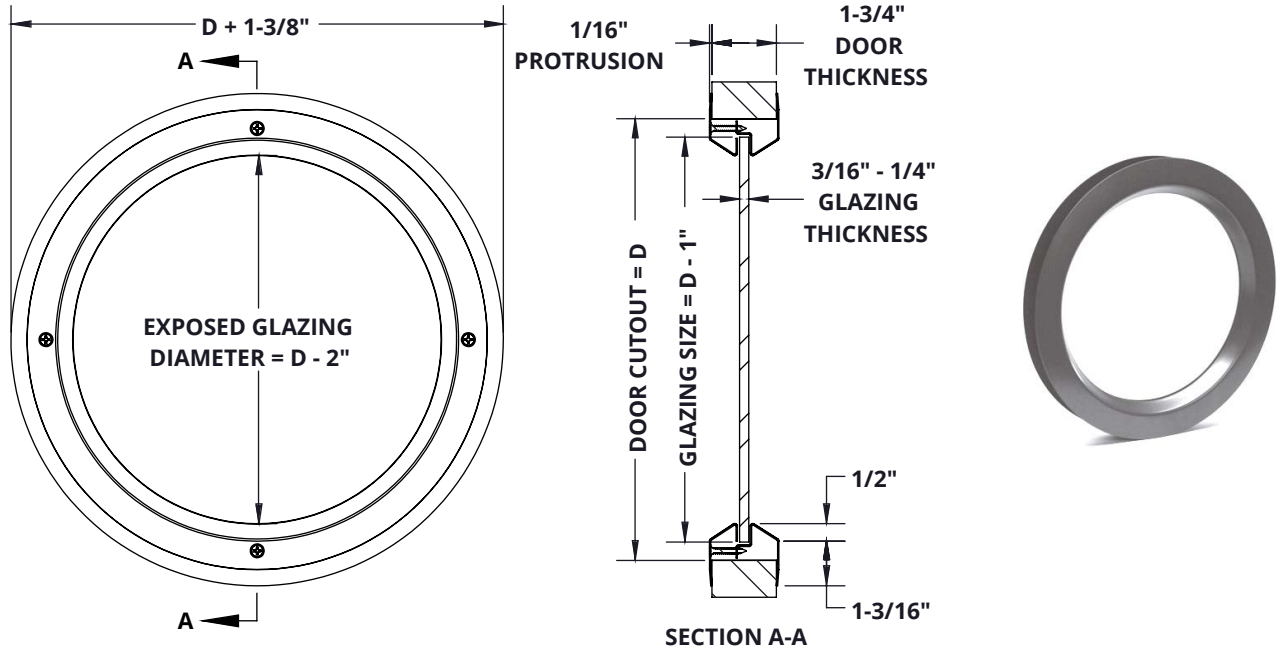


UP TO 3 HOURS*

VISION LITE - SLIMLINE™ SERIES ROUND - VSLR

Low profile Slimline™ Round vision lite mounts flush to the door providing a clean, aesthetic look. Designed to fit standard 1-3/4" doors and accommodates standard glazing thicknesses of 3/16" and 1/4".



SPECIFICATIONS:

Application: For door thickness 1-3/4" and glazing thickness 3/16" - 1/4"
Frame Material: 20 gauge cold rolled steel
Standard Finish: Mineral bronze powder coat
Fasteners: #8 x 1" Flathead Phillips screws to match finish
Diameter Sizes: 12" or 18" diameter.
 Door Cutout Diameter = Order Size Diameter (D)
 Glazing Diameter = Order Size Diameter minus 1" (D-1")
 Exposed Glazing Diameter = Order Size minus 2" (D-2")

FIRE RATINGS:

UL listed and labeled/stamped to ANSI/UL 10B, ANSI/UL 10C and CAN/ULC S104 when properly installed in rated and approved door. Ratings up to 180 minutes can be achieved depending on exposed glazing size and area.

OPTIONS:

PAKS: Vision lite, glazing & standard glazing tape combined; UL10C application
Compatible Air Louvers Glazing:
Fire-Rated: PYRO, PPF, FL, WS
Non-Rated: TEMP
Other: Torx screws

Interpretation of fire and building codes may vary. Consult with the local authority having jurisdiction (AHJ) to determine appropriate standards.

TAPE WHEN SOLD SEPARATELY

Qty	Model	Description Dimensions
	GTAPE 200B	Standard glazing tape 1/16" 1/16" thick x 3/8" wide x 200 ft
	FGS3000S90	Intumescent tape for wired glass 5/64" thick x 7/16" wide x 16 ft


Refer to glazing tape submittal for more information

***This glazing product has been discontinued by the manufacturer. Contact us regarding a replacement product.**

MADE-TO-ORDER SLIMLINE™ ROUND VISION LITE - EXAMPLE: VSLR 12B PPF PAK

QTY	MODEL	DIAMETER	FINISH	PAK GLAZING	OPTIONS
<input type="text"/>	VSLR	12 (12")	B Bronze - Std.	None	None
		18 (18")	AB AMS Beige	FL PAK 3/16" FireLite NT	-T Torx Screw
			SB SC Beige	PPF PAK 3/16" Pyran Platinum F	
			S Sand	PYRO PAK 1/4" PyroShield*	
			G Gray	TEMP PAK 1/4" Non-Rated Tempered	
			SI Silver	WS PAK 1/4" WireShield	
			W White		
			BK Black		
			FB Flat Black		
			BA Brass		

It is the responsibility of the customer to communicate specifications and product performance requirements that are needed for their application. This document is intended to convey potential product configurations and offerings. It is not to be used to imply or represent a specification or rating of finished products shipped. Detailed, specific submittals can be created upon request. It is the responsibility of the customer to specify product accordingly to comply with local laws, codes, and ordinances.

 <p>AIR LOUVERS</p> <p>9702 Newton Ave S. Bloomington, MN 55431 Many Locations Nationwide</p>	<p>800-554-6077</p> <p>sales@activarcpg.com</p> <p>www.activarcpg.com</p>	<p>Distributor:</p>	<p>Project:</p>
		<p>Contractor:</p>	<p>Approved By:</p>
		<p>Date:</p>	<p>Architect:</p>
	<p>Scale: N/A</p>	<p>Page 1 of 1</p>	<p>Item #:</p>